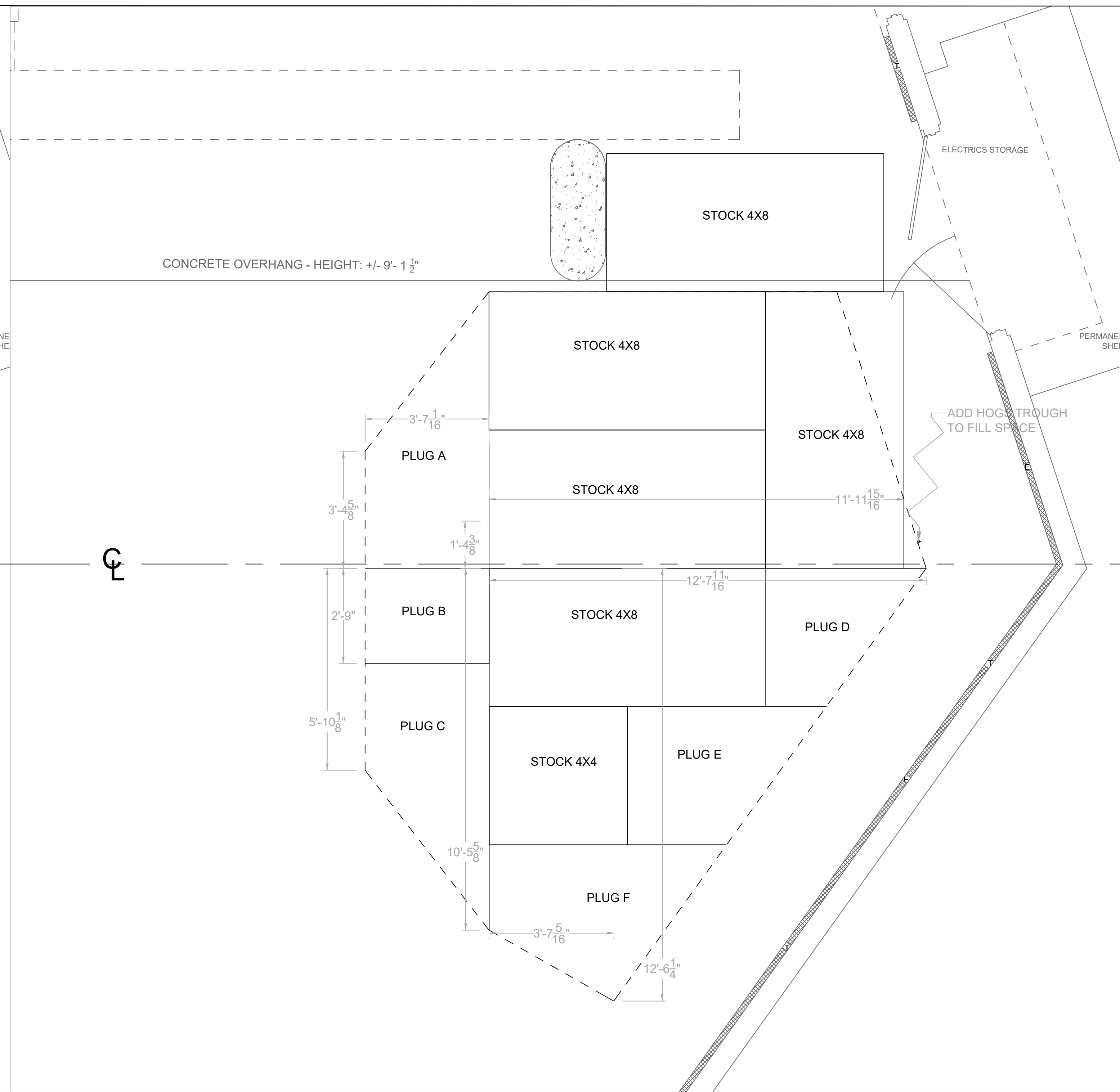
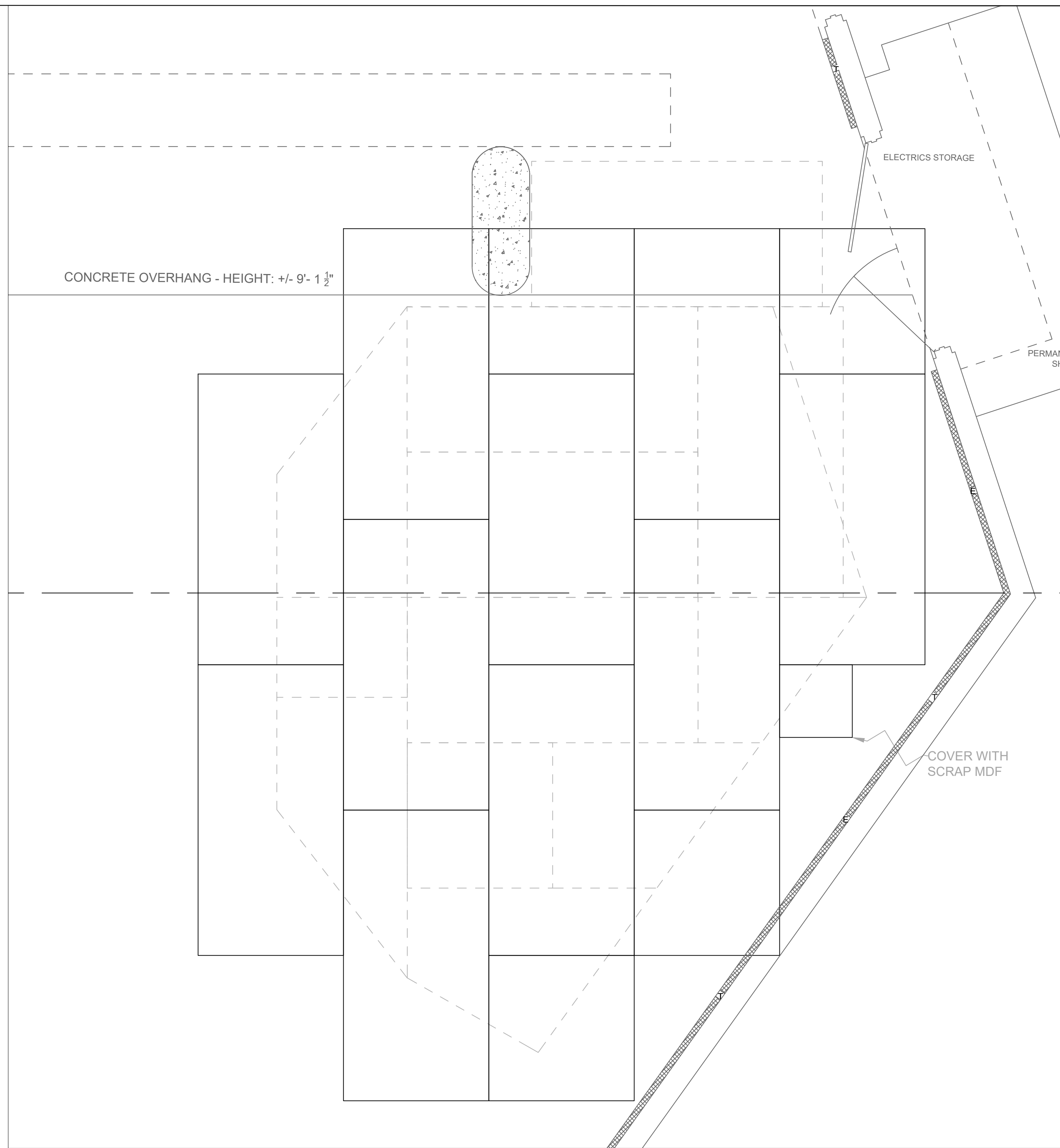


LEARNED LADIES EMERSON STUDIO THEATER	GROUND PLAN		DIRECTOR: REBEKAH SCALLET	REBEKAH SCALLET
	SCENIC DESIGNER: FALLON PODRAZIK	TD: GRANT VOCKS	ATD: BOBBY JULGA	BOBBY JULGA
DRAFTED BY: BOBBY JULGA bjulga2000@gmail.com 414-552-6035		LAST REVISED: 01-20-2022 01-21-2022 01-22-2022	SCALE: 1/2" = 1'	LL-1



LL-2

SCALE: 1/2" = 1'

Last Revised: 01-22-2022
01-25-2022

Drafted By: Bobby Julga
bjulga2000@gmail.com
414-552-6035

Rebekah Scallet
Fallon Podrazik
Grant Vocks
Bobby Julga

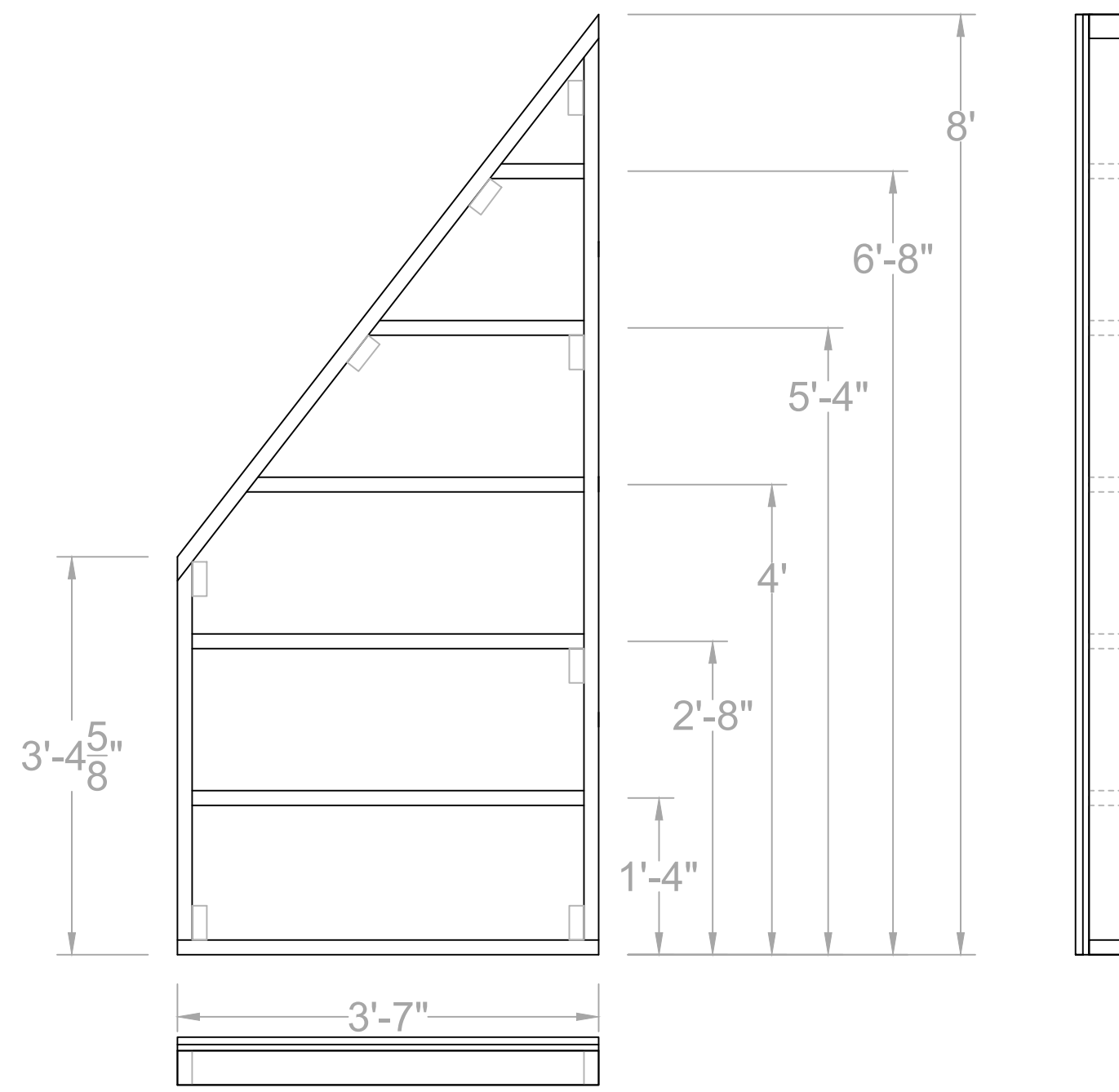
DIRECTOR: SCENIC DESIGNER:
TD: ATD:

SHEET + DECK LAYOUT

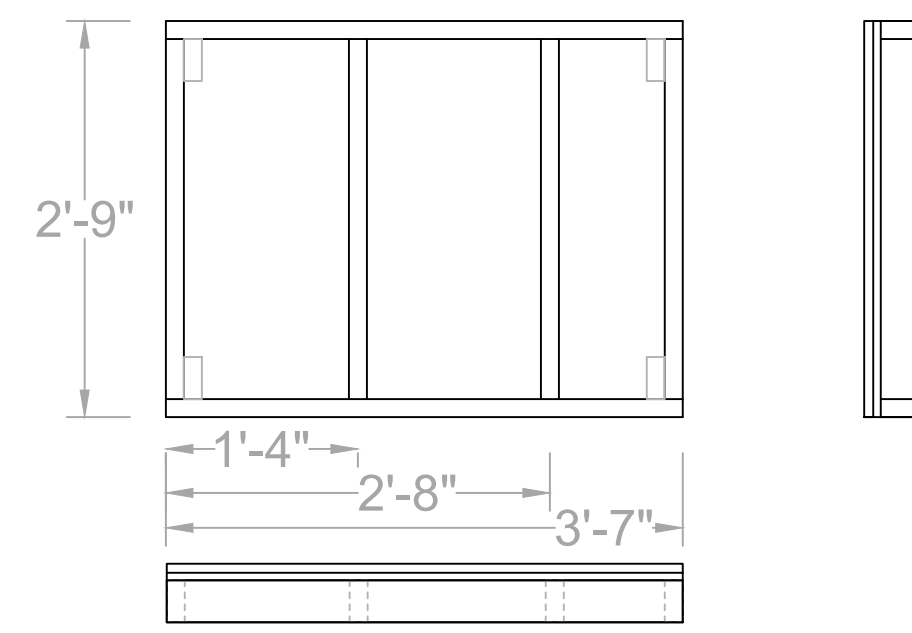
LEARNED LADIES
EMERSON STUDIO THEATER

NOTES:

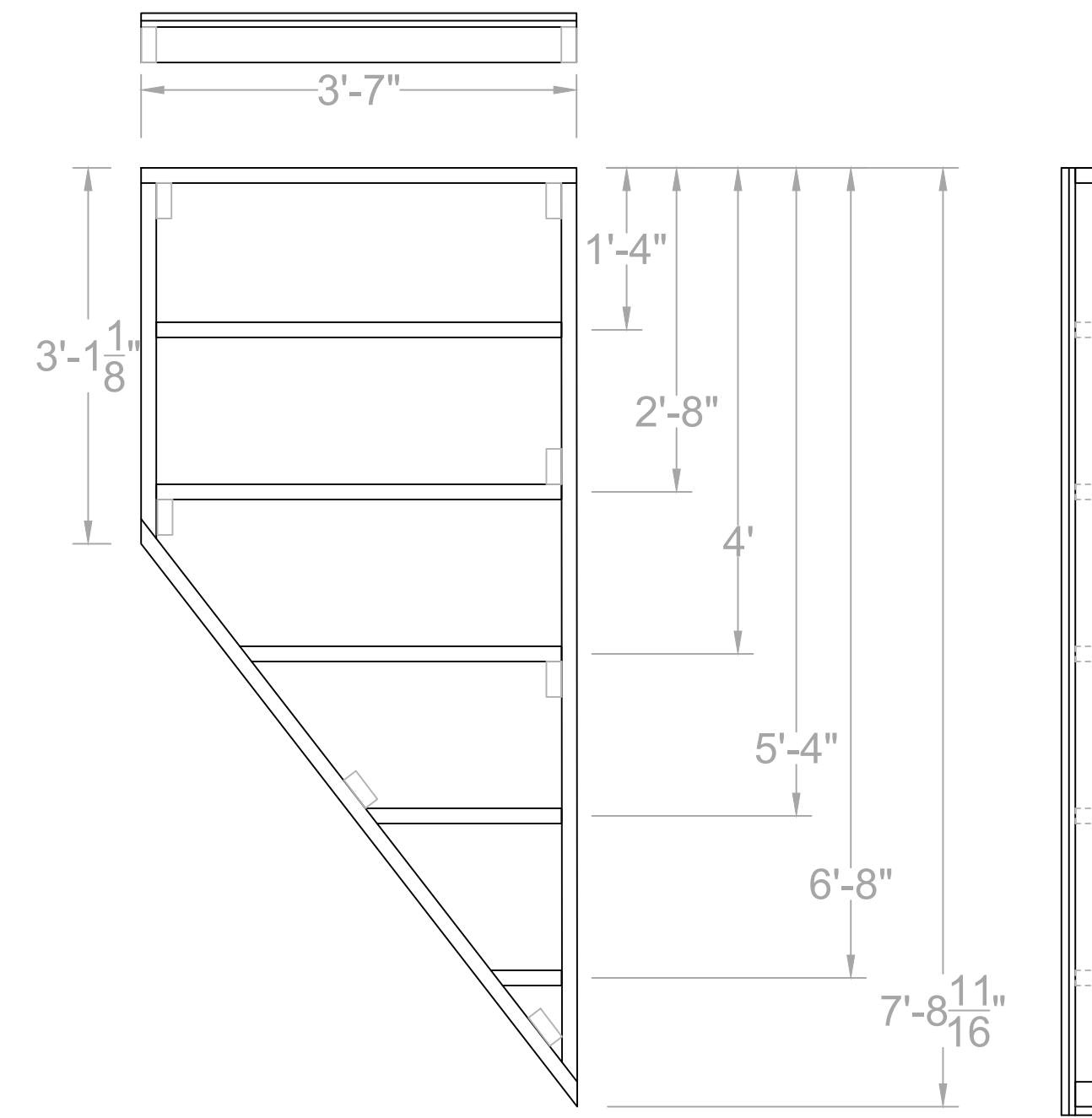
- USE HOGS TROUGH TO FILL IN THE SMALL SPACE BETWEEN PLUG D AND THE VERTICAL STOCK 4X8
- USE SCRAP MDF TO COVER THE SMALL PIECES OF DECK THAT ARE NOT COVERED BY THE FULL SHEETS
- SCRAPS MUST BE 2'X2' WHEN LAYING OUT FLOOR FOR PAINTERS
- ROUTE THE SHEETS TO FIT THE DECK WHEN DECK IS INSTALLED



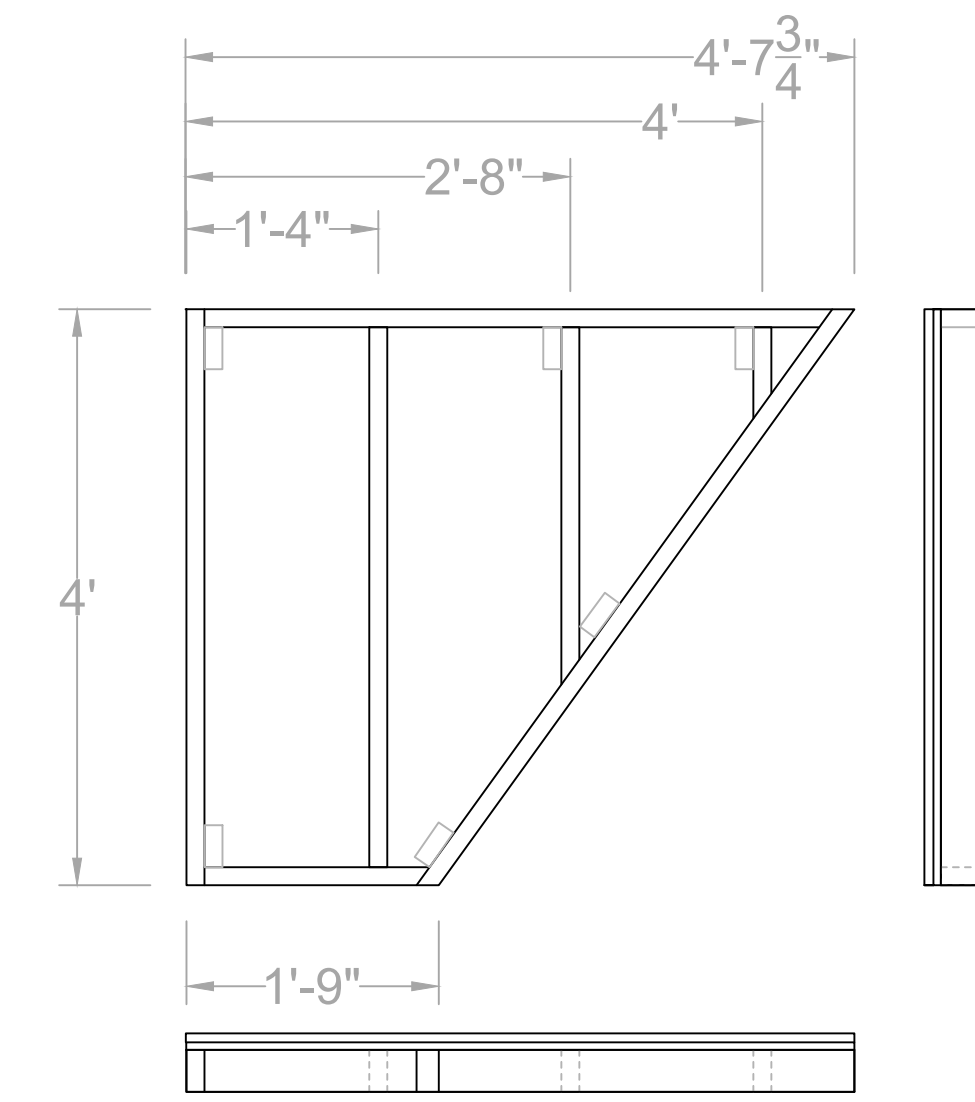
1 PLUG A
SCALE: 3/4"=1'



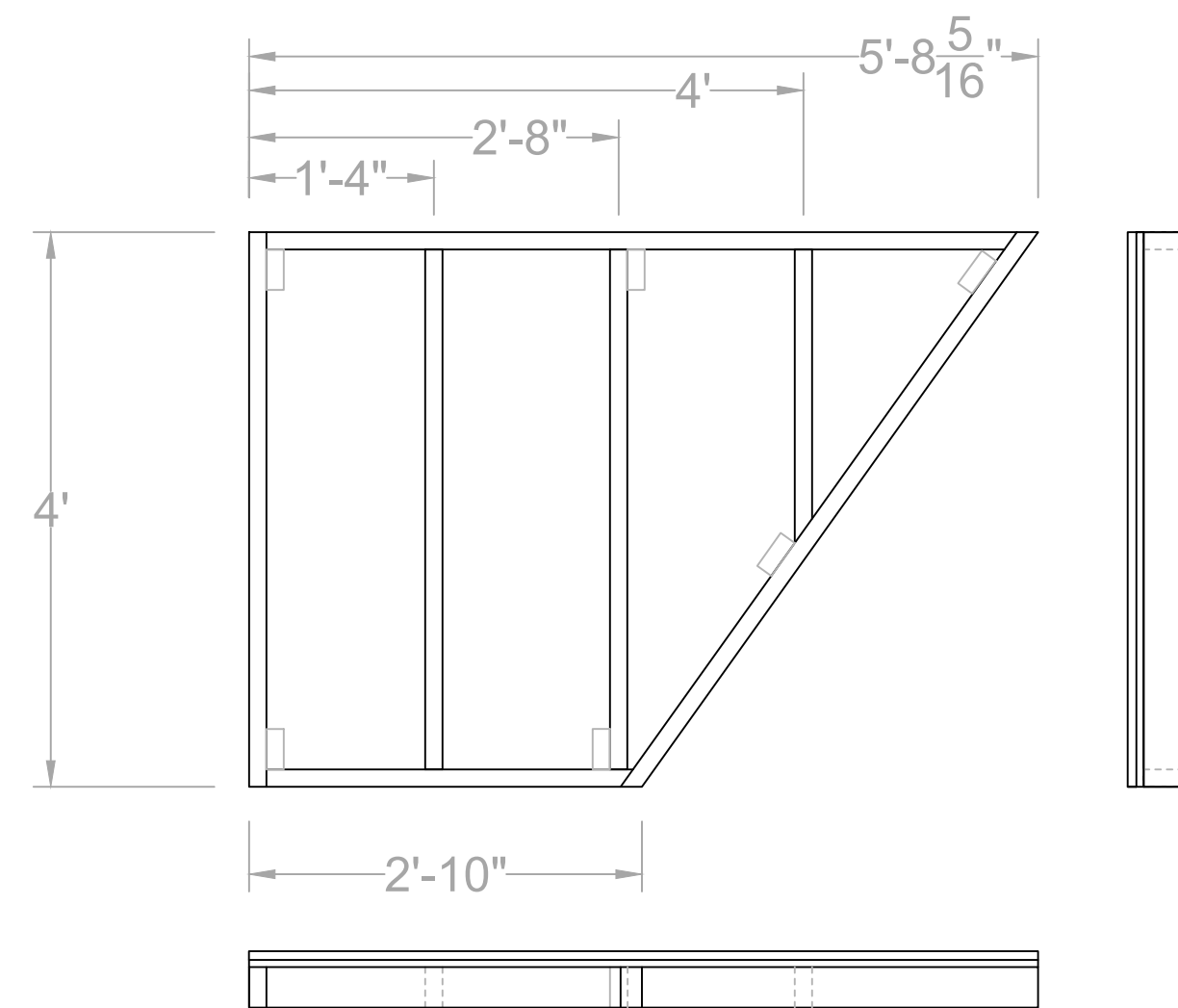
2 PLUG B
SCALE: 3/4"=1'



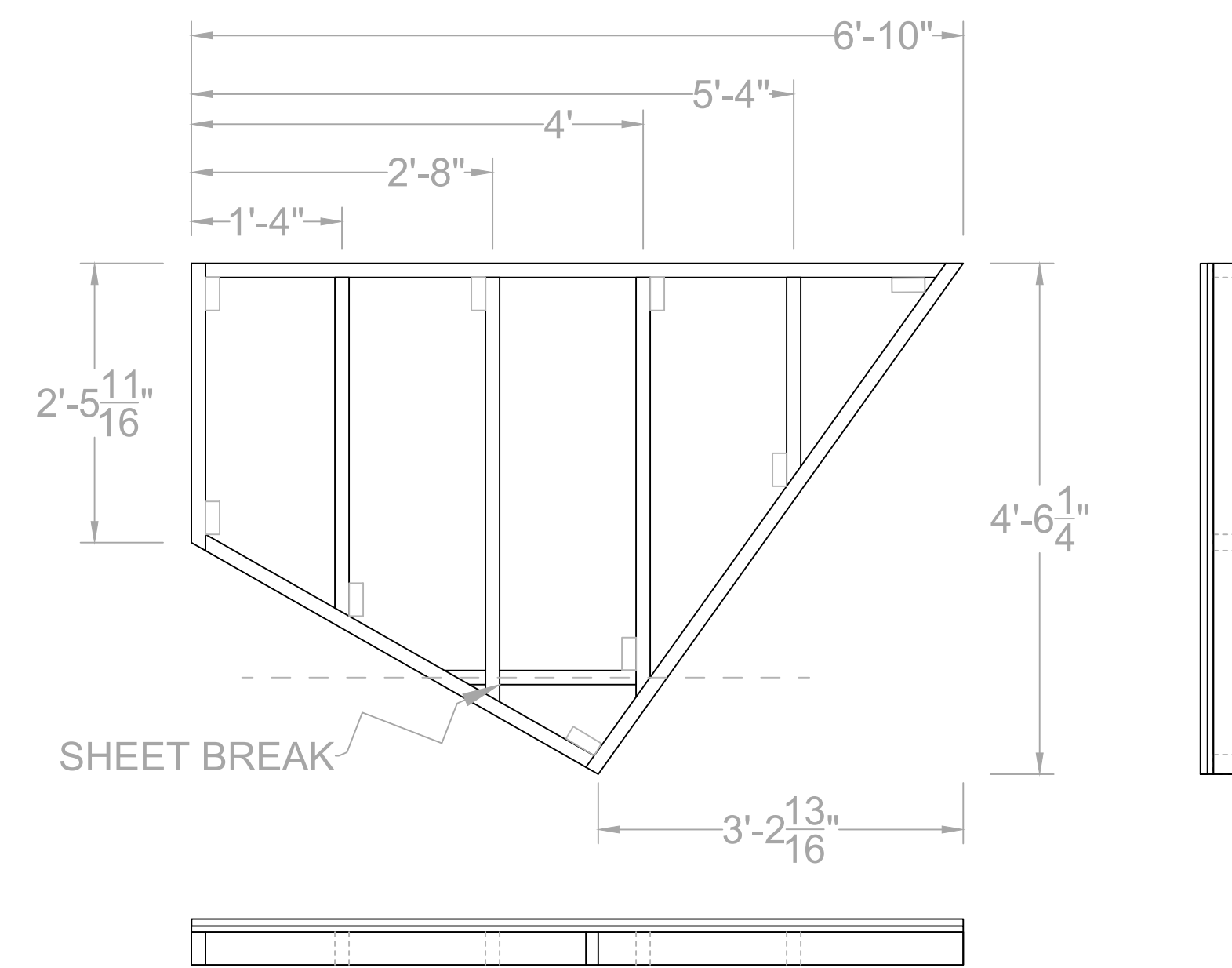
3 PLUG C
SCALE: 3/4"=1'



4 PLUG D
SCALE: 3/4"=1'

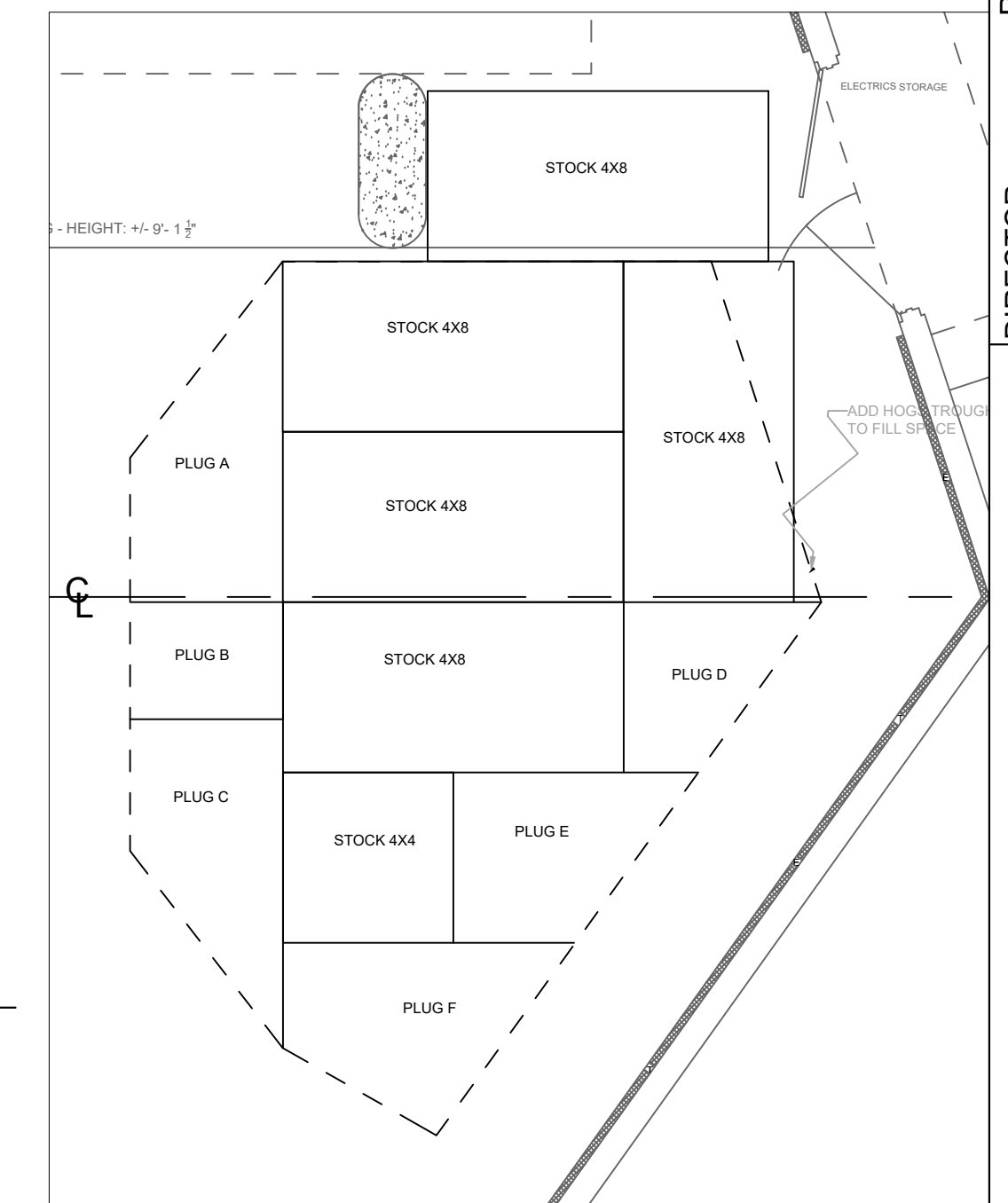


5 PLUG E
SCALE: 3/4"=1'



6 PLUG F
SCALE: 3/4"=1'

7 DECK LAYOUT
SCALE: 1/4"=1'



NOTES:

- Build Frame to $\frac{5}{8}$ " plywood Lid
- Attach $\frac{5}{8}$ " Lid with 1-5/8" screws and glue
- Assemble with glue and 3" screws
- Attach $\frac{1}{2}$ " asphalt sheathing with wide crown staples

LL-3

SCALE: 3/4" = 1'

Last Revised: 01-24-2022
01-25-2022

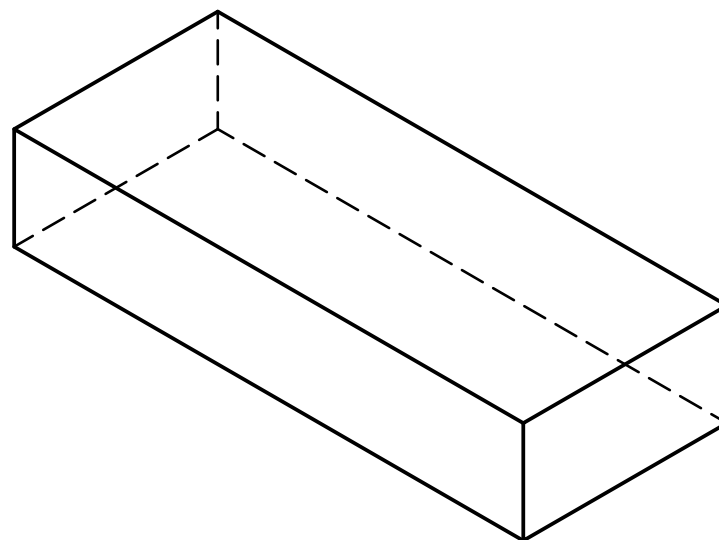
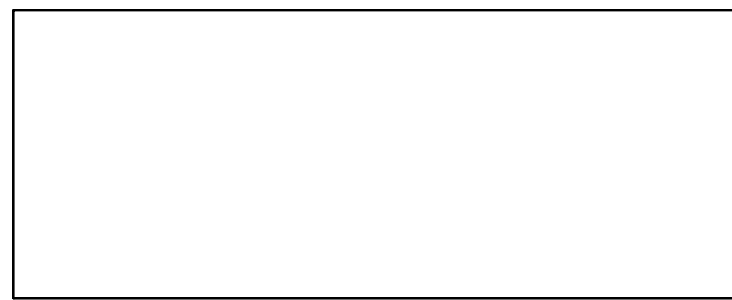
Drafted By: Bobby Julga
bjulga2000@gmail.com
414-552-6035

Rebekah Scalliet
Fallon Podrazik
Grant Vocks
Bobby Julga

DIRECTOR: SCENIC DESIGNER:
TD: ATD:

PLUGS A - F

LEARNED LADIES
EMERSON STUDIO THEATER



STEP UNIT
SCALE: 1-1/2"=1'

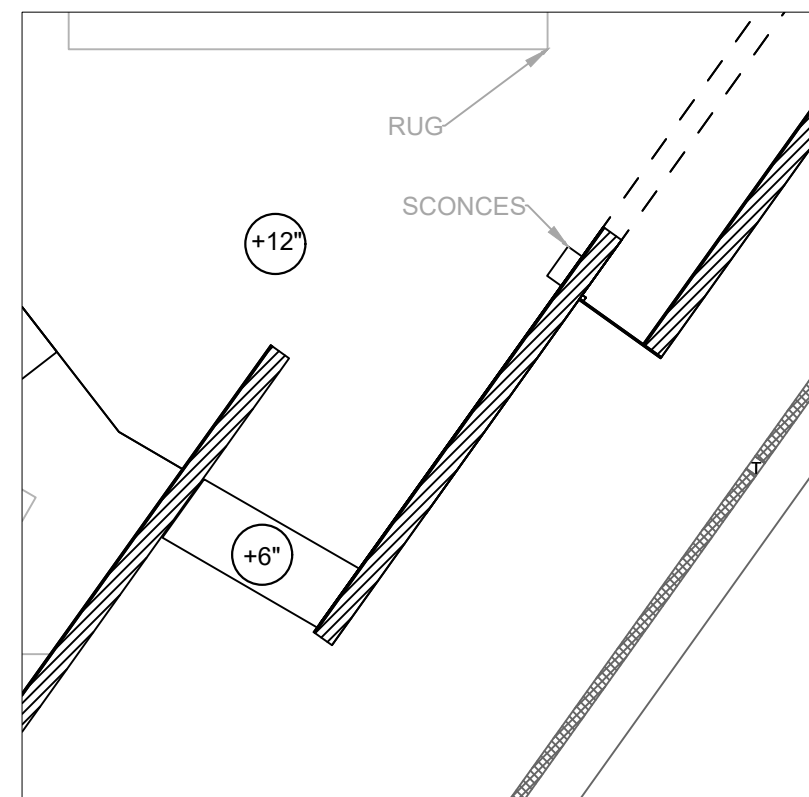
NOTES:

-Construct with 5/8" plywood

-Use wood glue and staple with 1-1/2" narrow crown staples



GROUND PLAN
SCALE: 3/8"=1'



LL-4

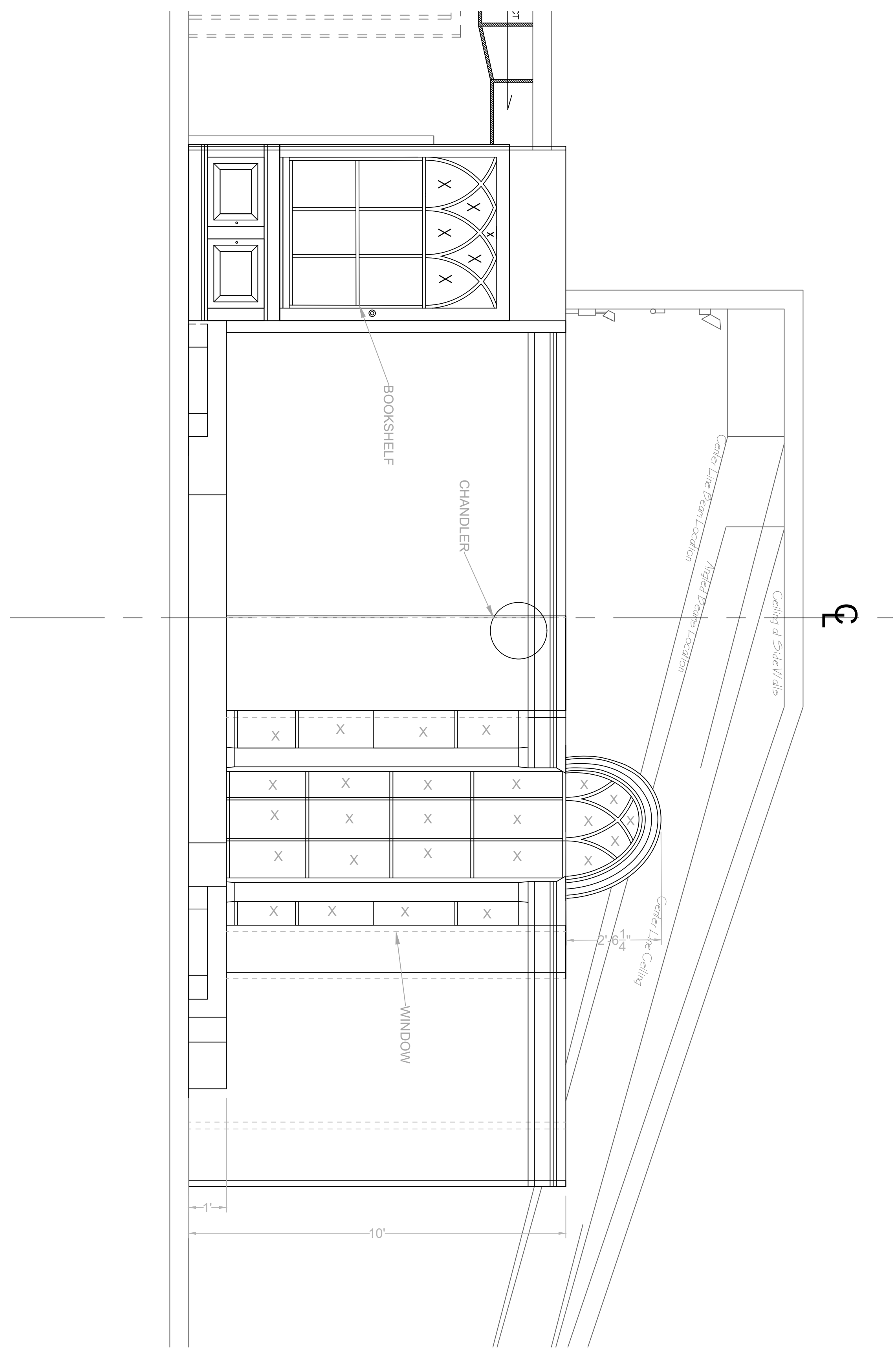
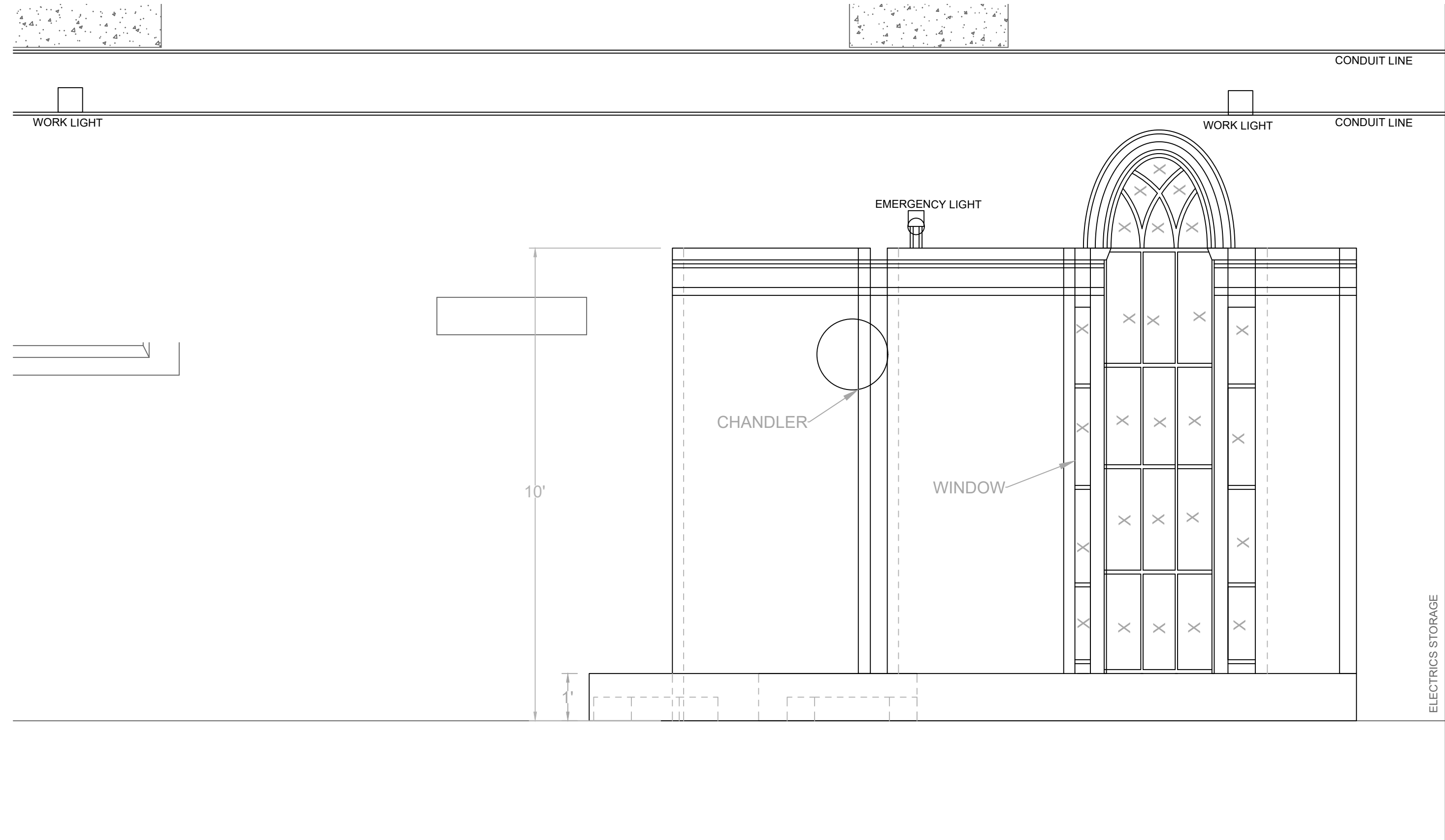
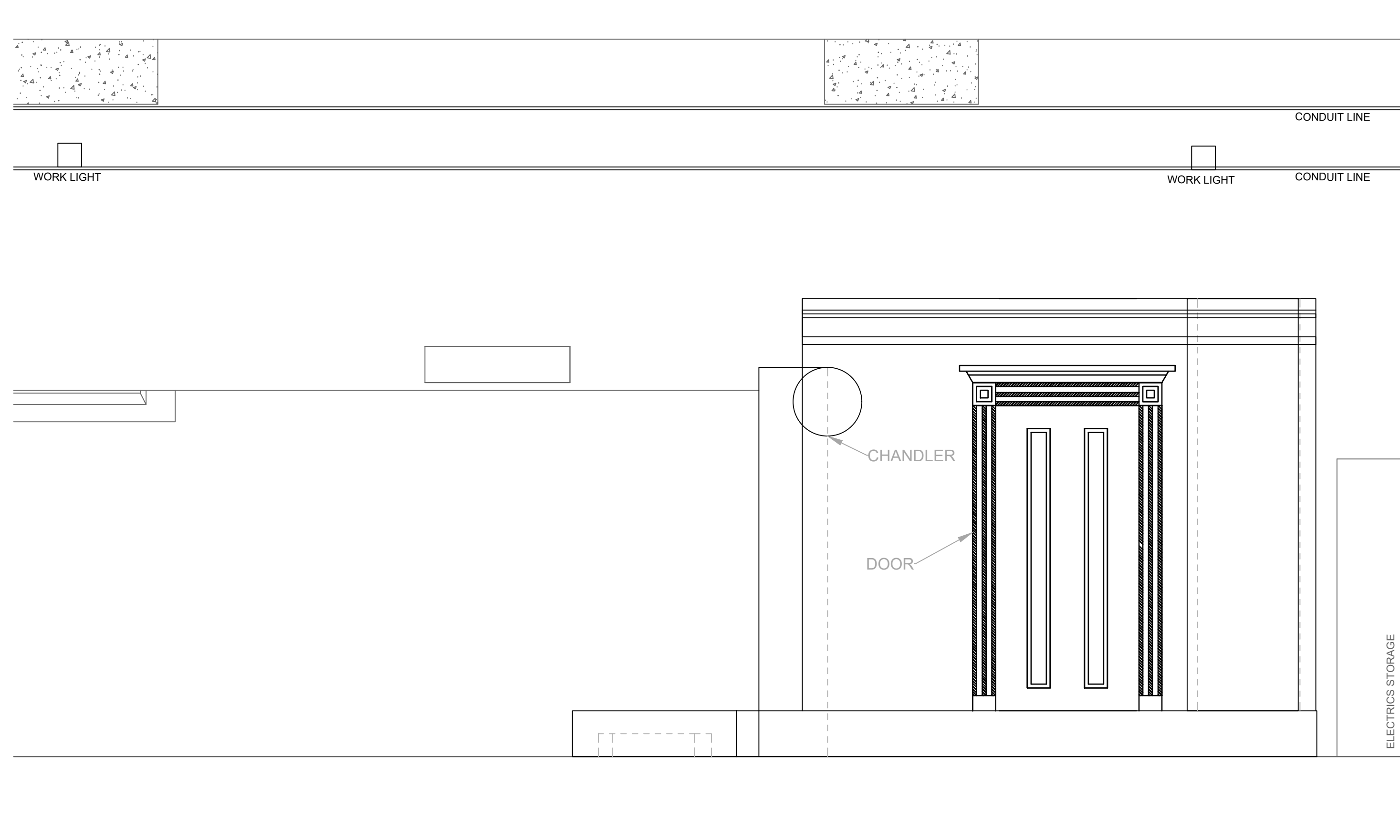
SCALE:
VARIES

LAST REVISED:
01-25-2022

Director: Rebekah Scallet
Scenic Designer: Fallon Podrazik
Technical Director: Grant Vocks
ATD: Bobby Julga

STEP UNIT
BUILD DRAWING

LEARNED LADIES
EMERSON STUDIO THEATER

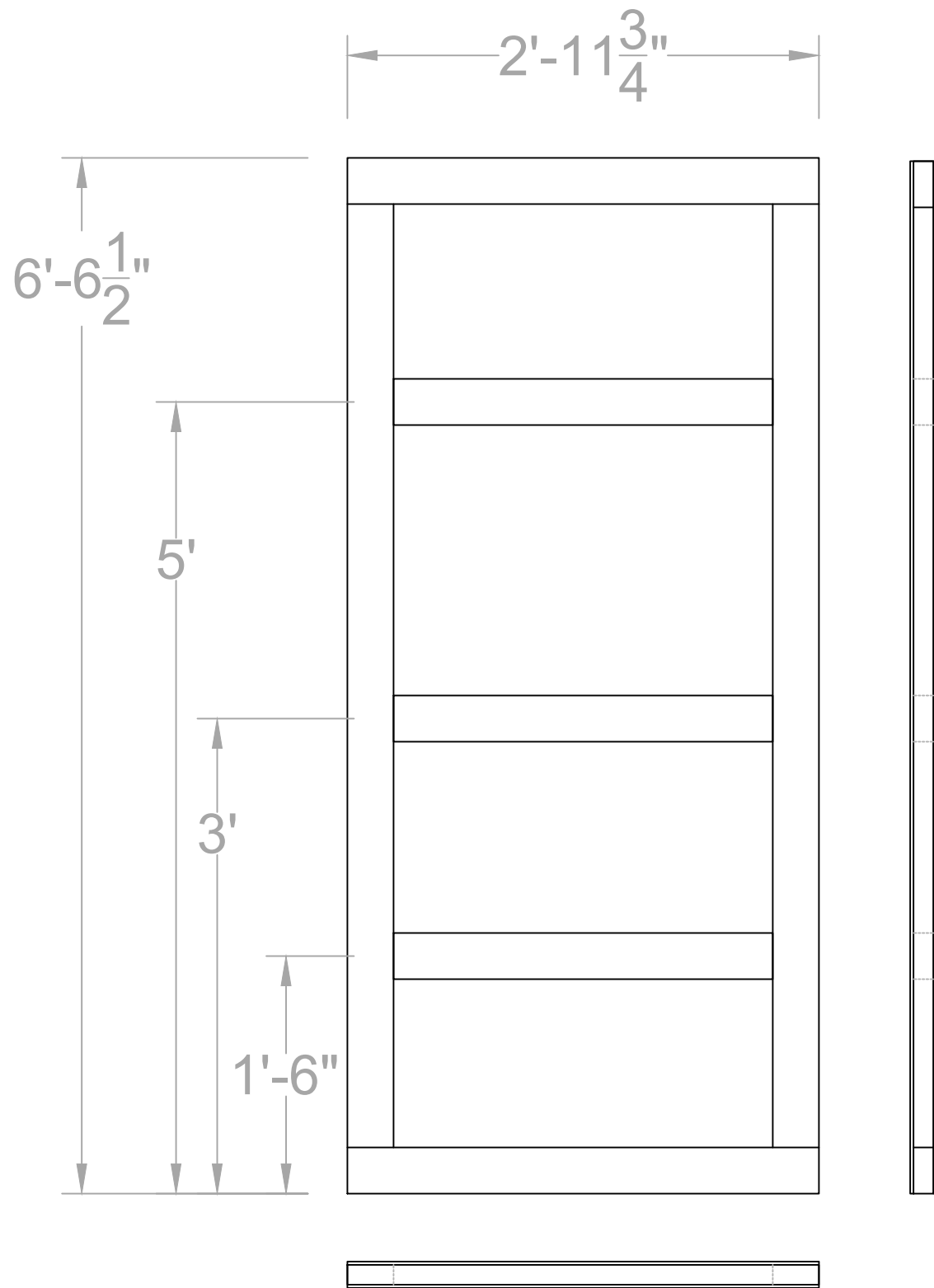


SECTIONS

DIRECTOR: Rebekah Scalliet
 SCENIC DESIGNER: Fallon Podrazik
 TD: Grant Vooks
 ATD: Bobby Julga

Last Revised: 01-30-2022
 Drafted By: **Bobby Julga**
 bjulga2000@gmail.com
 414-582-6035

SCALE: 1/2" = 1'

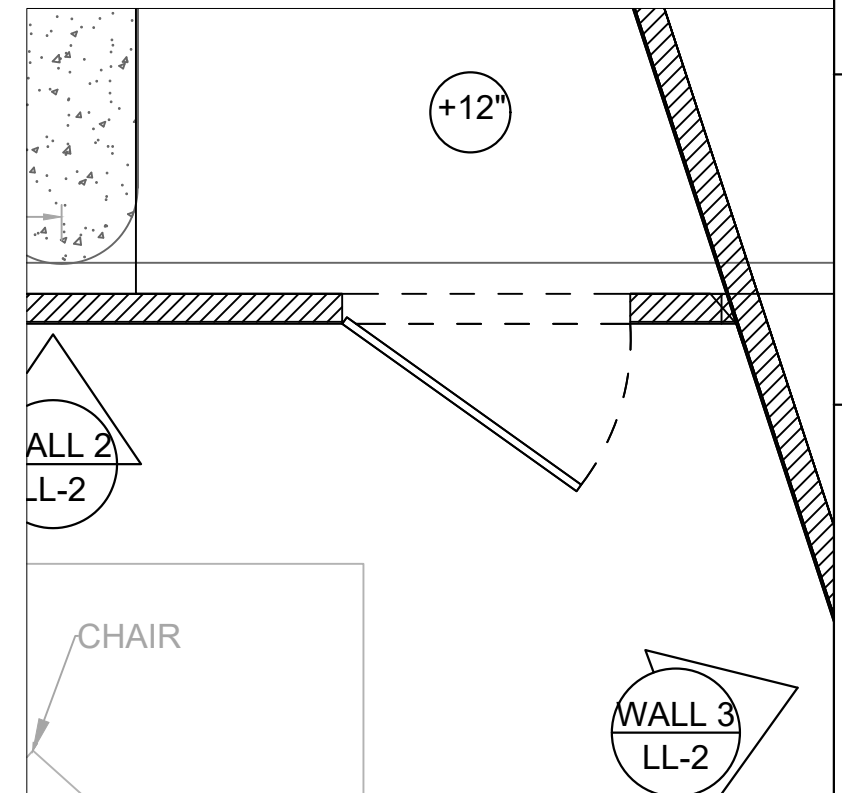


1 DOOR UNIT
SCALE: 1"=1'

NOTES:

- Assemble 2x4 frame with glue and 1" wide crown staples
- Lid both sides of frame with Luan
- Attach Lid with glue and $\frac{3}{4}$ " narrow crown staples
- Sand edges and add JC to fill staple holes on face and edge of frame

2 GROUND PLAN
SCALE: 1/2"=1'



LL-7

SCALE:
VARIES

LAST REVISED:
02-03-2022

Director: Rebekah Scallet
Scenic Designer: Fallon Podrazik
Technical Director: Grant Vocks
ATD: Bobby Julga

DOOR
BUILD DRAWING

LEARNED LADIES
EMERSON STUDIO THEATER